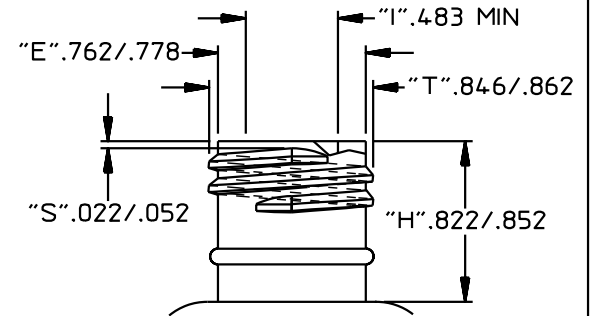


QualityPlastics

570 Fifth Street
 Prescott, Az. 86301
 928-445-2592 Fax:928-445-1518
 WWW.QUALITY-PLASTICS.COM

NECK DETAIL



2oz Boston Round
 22-415
 Drawing# 09-1013

O.F.C.	72.3±3.5cc
WEIGHT	8.5g**
FINISH	22-415
DIAMETER(A)	1.504±.047
HEIGHT(B)	3.472±.047
MAX LABEL(HEIGHT)	1.900
MAX LABEL(WIDTH)	N/A
PLUG FIT	USER SPECIFIED

**SPECIAL WEIGHTS AVAILABLE UPON
 REQUEST**

MANUFACTURED BY EXTRUSION BLOW MOLD
 DRAWING NOT TO SCALE