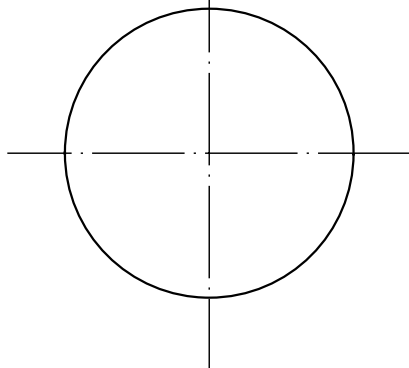
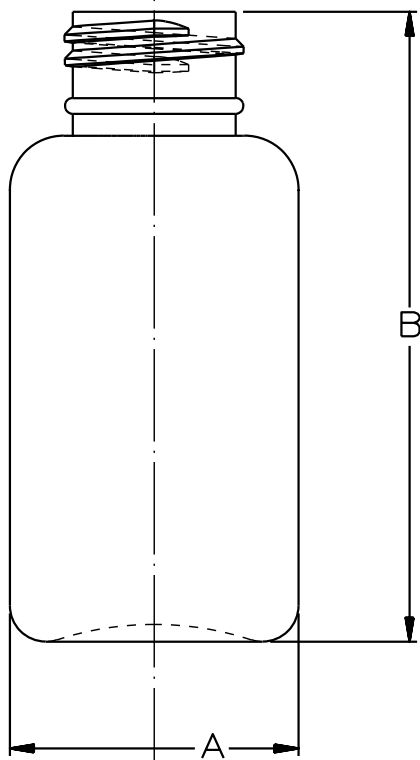
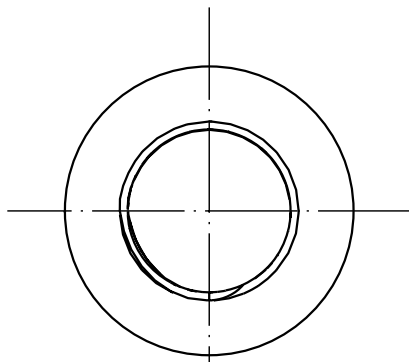
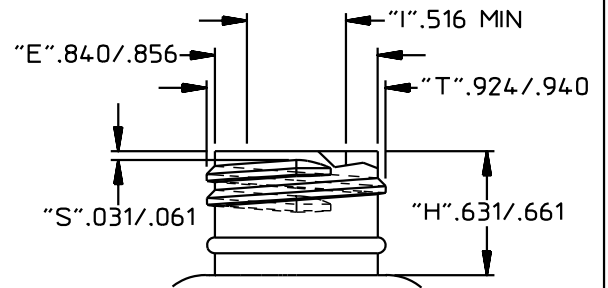


QualityPlastics

570 Fifth Street
 Prescott, Az. 86301
 928-445-2592 Fax:928-445-1518
 WWW.QUALITY-PLASTICS.COM



NECK DETAIL



2oz Boston Round
 24-410
 Drawing# 86-463-C

O.F.C.	70±3.5cc
WEIGHT	7.5g**
FINISH	24-410
DIAMETER(A)	1.504±.047
HEIGHT(B)	3.281±.047
MAX LABEL(HEIGHT)	1.900
MAX LABEL(WIDTH)	N/A
PLUG FIT	USER SPECIFIED

SPECIAL WEIGHTS AVAILABLE UPON REQUEST

MANUFACTURED BY EXTRUSION BLOW MOLD
 DRAWING NOT TO SCALE