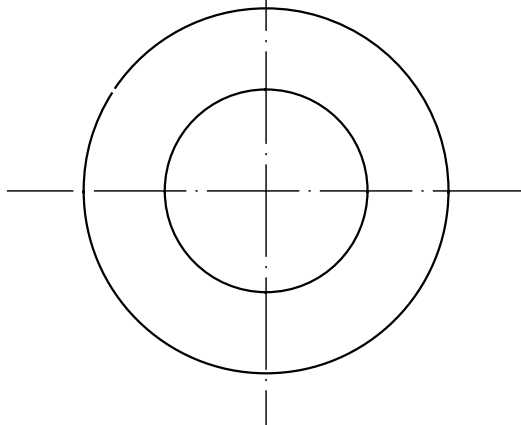
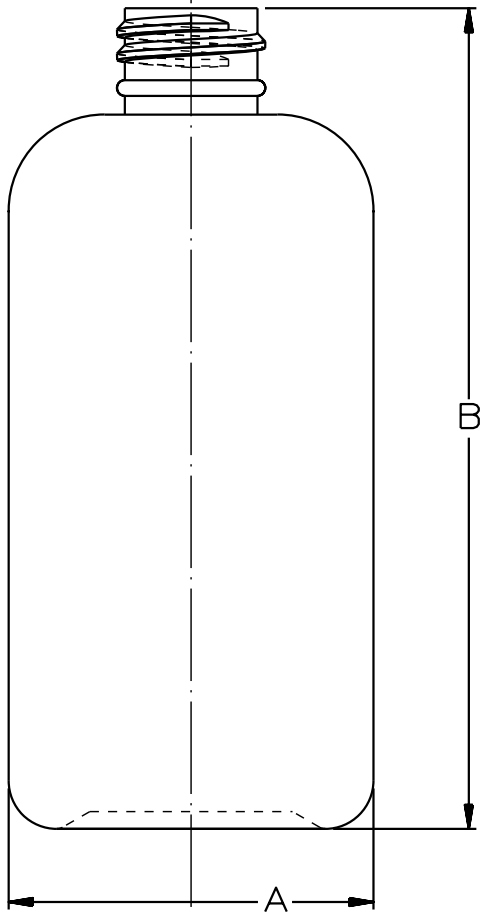
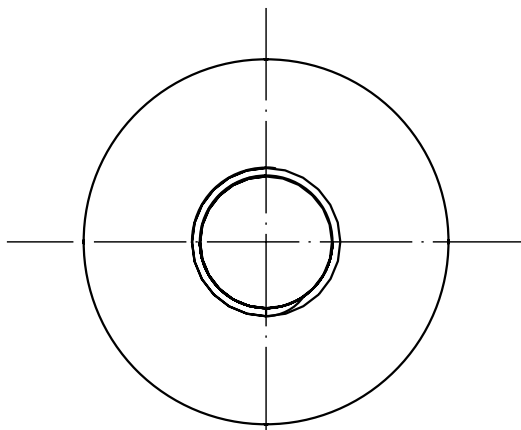
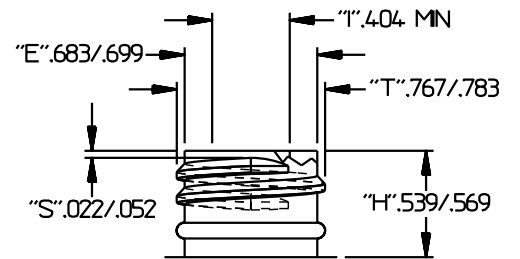


QualityPlastics

570 Fifth Street
 Prescott, Az. 86301
 928-445-2592 Fax:928-445-1518
 WWW.QUALITY-PLASTICS.COM



NECK DETAIL



4oz Boston Round
 20-410
 Drawing# 09-1032

| | |
|-------------------|----------------|
| O.F.C. | 149±5cc |
| WEIGHT | 14g** |
| FINISH | 20-410 |
| DIAMETER(A) | 1.900±.047 |
| HEIGHT(B) | 4.274±.047 |
| MAX LABEL(HEIGHT) | 2.750 |
| MAX LABEL(WIDTH) | N/A |
| PLUG FIT | USER SPECIFIED |

SPECIAL WEIGHTS AVAILABLE UPON REQUEST

MANUFACTURED BY EXTRUSION BLOW MOLD
 DRAWING NOT TO SCALE