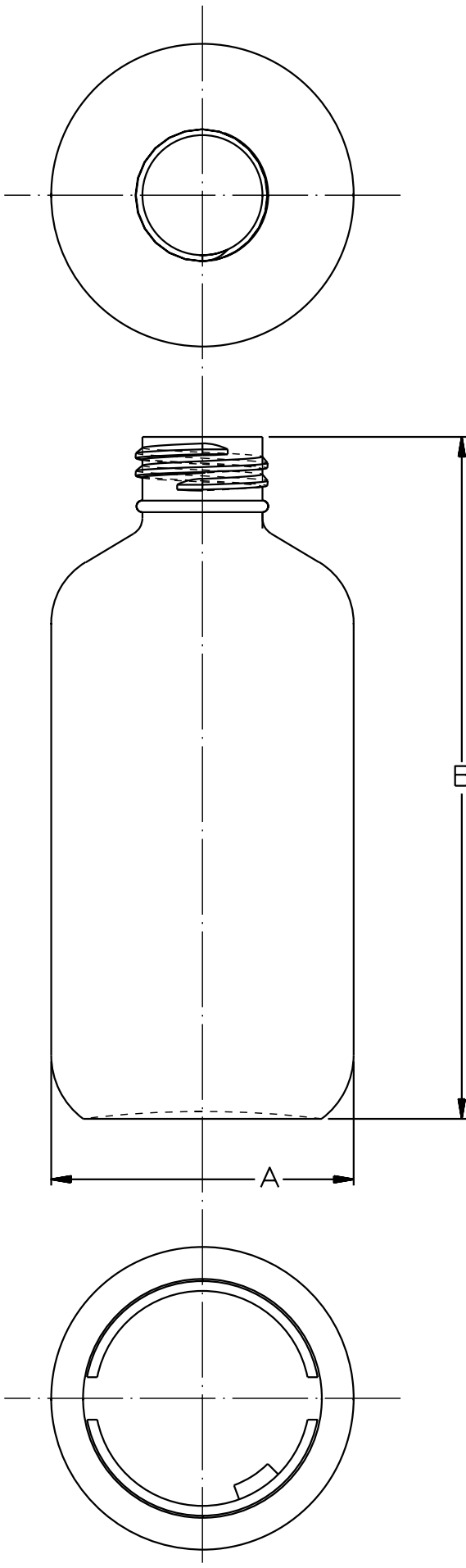


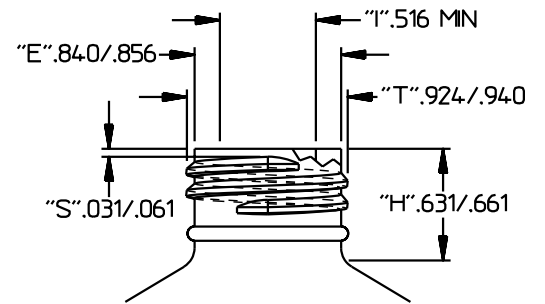


QualityPlastics

570 Fifth Street
 Prescott, Az. 86301
 928-445-2592 Fax:928-445-1518
 WWW.QUALITY-PLASTICS.COM



NECK DETAIL



6oz Boston Round
 24-410
 Drawing# 73-188-C

O.F.C.	217.6±6cc
WEIGHT	18g**
FINISH	24-410
DIAMETER(A)	2.137±.047
HEIGHT(B)	4.815±.047
MAX LABEL(HEIGHT)	2.800
MAX LABEL(WIDTH)	N/A
PLUG FIT	USER SPECIFIED

SPECIAL WEIGHTS AVAILABLE UPON REQUEST

MANUFACTURED BY EXTRUSION BLOW MOLD
 DRAWING NOT TO SCALE