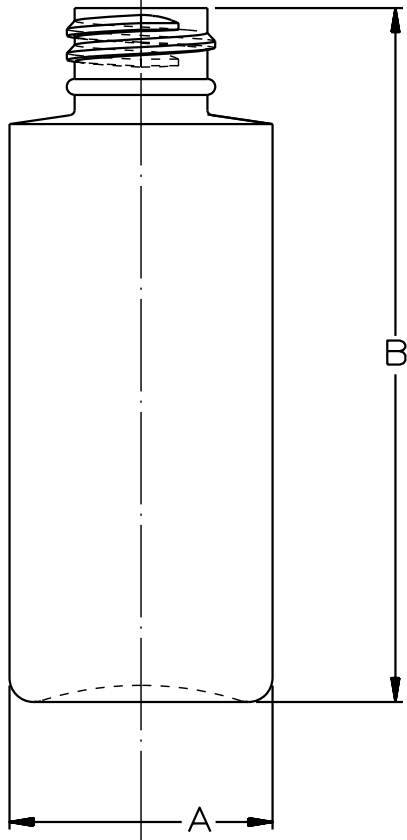
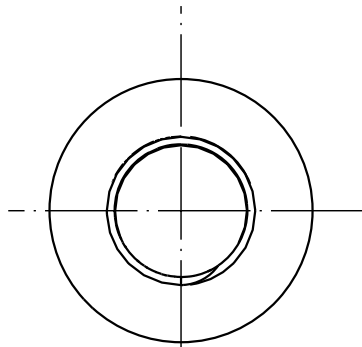
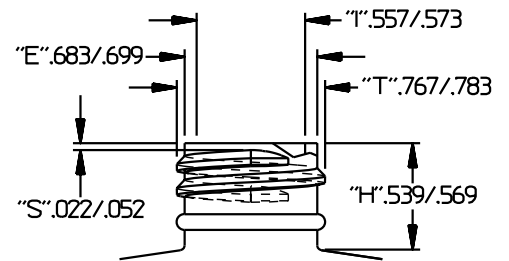


# QualityPlastics

570 Fifth Street  
 Prescott, Az. 86301  
 928-445-2592 Fax:928-445-1518  
 WWW.QUALITY-PLASTICS.COM



## NECK DETAIL



2oz Cylinder  
 20-410  
 Drawing# 09-1021

O.F.C.	69±3cc
WEIGHT	9g**
FINISH	20-410
DIAMETER(A)	1.370±.047
HEIGHT(B)	3.614±.047
MAX LABEL(HEIGHT)	2.650
MAX LABEL(WIDTH)	N/A
PLUG FIT	USER SPECIFIED

\*\*SPECIAL WEIGHTS AVAILABLE UPON REQUEST\*\*

\*MANUFACTURED BY EXTRUSION BLOW MOLD\*  
 \*DRAWING NOT TO SCALE\*