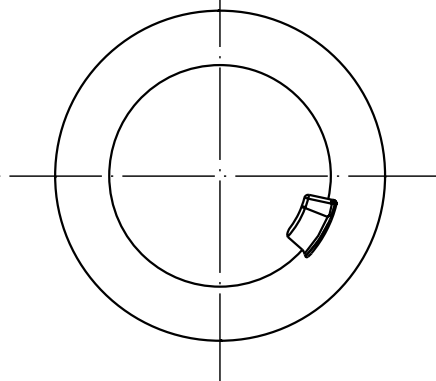
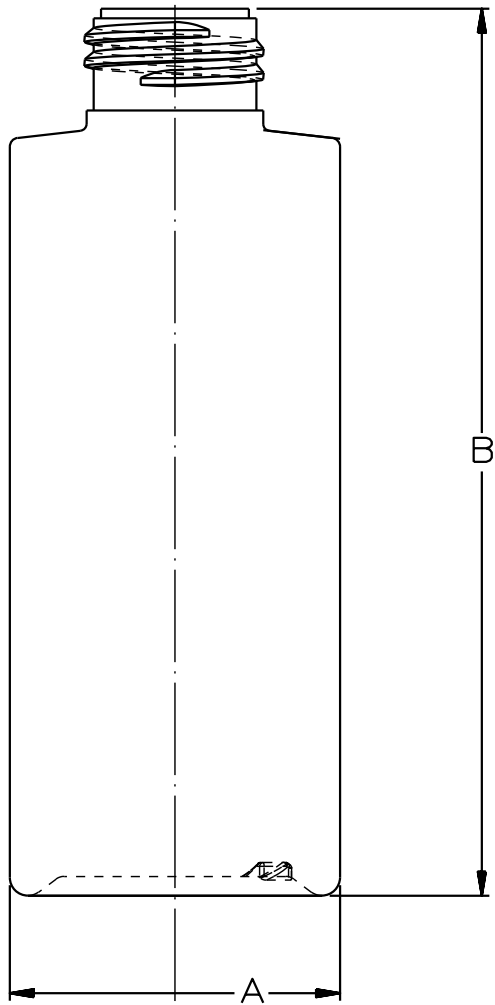
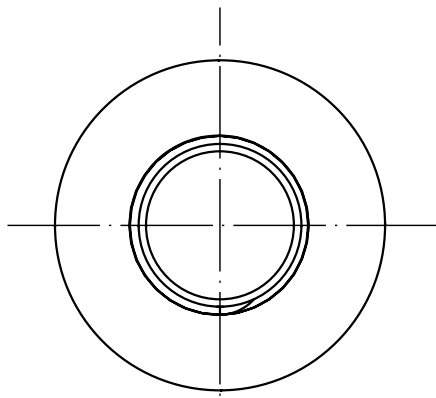
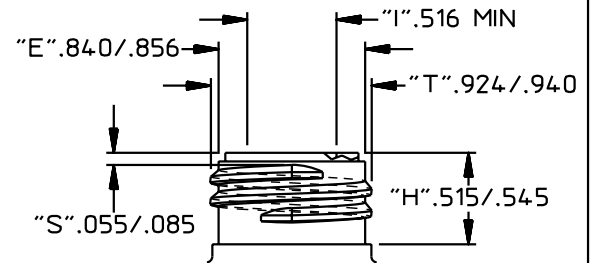


QualityPlastics

570 Fifth Street
 Prescott, Az. 86301
 928-445-2592 Fax:928-445-1518
 WWW.QUALITY-PLASTICS.COM

NECK DETAIL



4.4oz Cylinder 24MM SPECIAL Drawing# 07-918-B

O.F.C.	140.9±5cc
WEIGHT	14g**
FINISH	24MM SPL
DIAMETER(A)	1.720±.047
HEIGHT(B)	4.620±.047
MAX LABEL(HEIGHT)	3.600
MAX LABEL(WIDTH)	N/A
PLUG FIT	USER SPECIFIED

SPECIAL WEIGHTS AVAILABLE UPON REQUEST

MANUFACTURED BY EXTRUSION BLOW MOLD
 DRAWING NOT TO SCALE