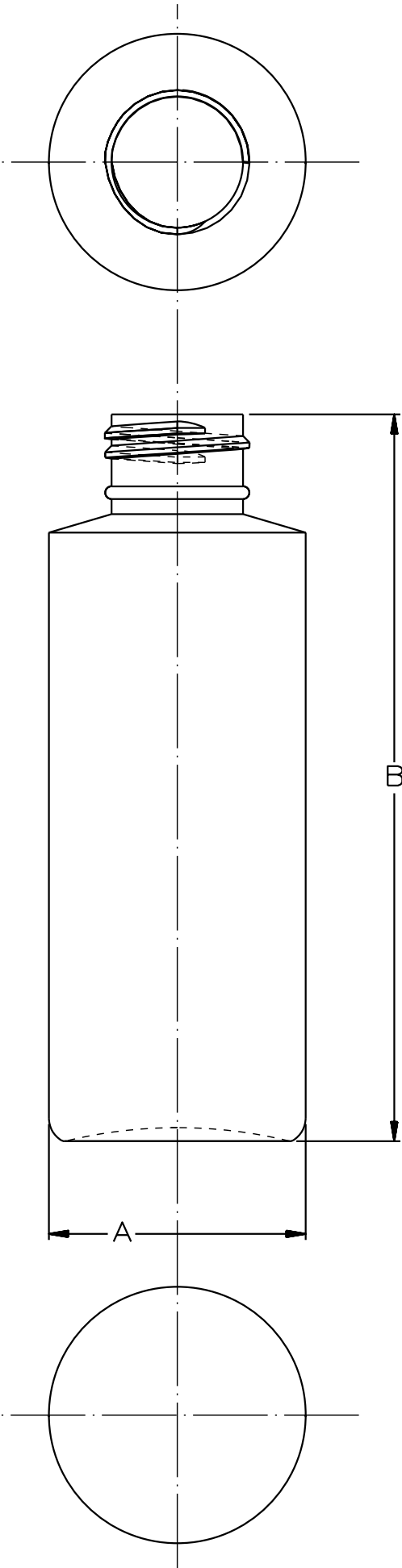
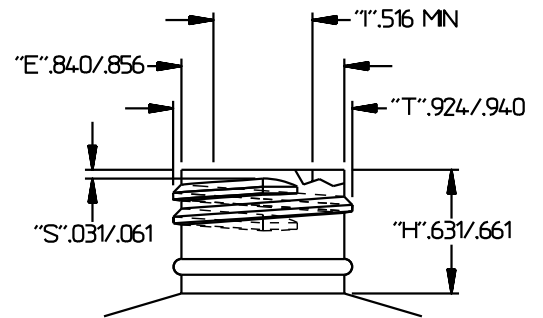


QualityPlastics

570 Fifth Street
 Prescott, Az. 86301
 928-445-2592 Fax:928-445-1518
 WWW.QUALITY-PLASTICS.COM



NECK DETAIL



4oz Cylinder
 24-410
 Drawing# 08-974-A

O.F.C.	131.9±5cc
WEIGHT	12g**
FINISH	24-410
DIAMETER(A)	1.656±.047
HEIGHT(B)	4.693±.047
MAX LABEL(HEIGHT)	3.550
MAX LABEL(WIDTH)	N/A
PLUG FIT	USER SPECIFIED

SPECIAL WEIGHTS AVAILABLE UPON REQUEST

MANUFACTURED BY EXTRUSION BLOW MOLD
 DRAWING NOT TO SCALE