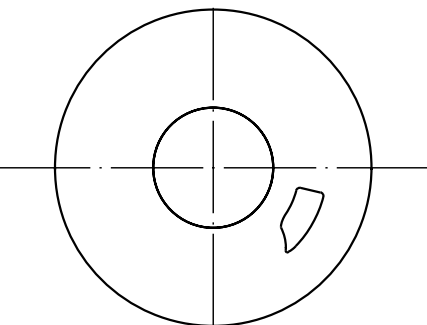
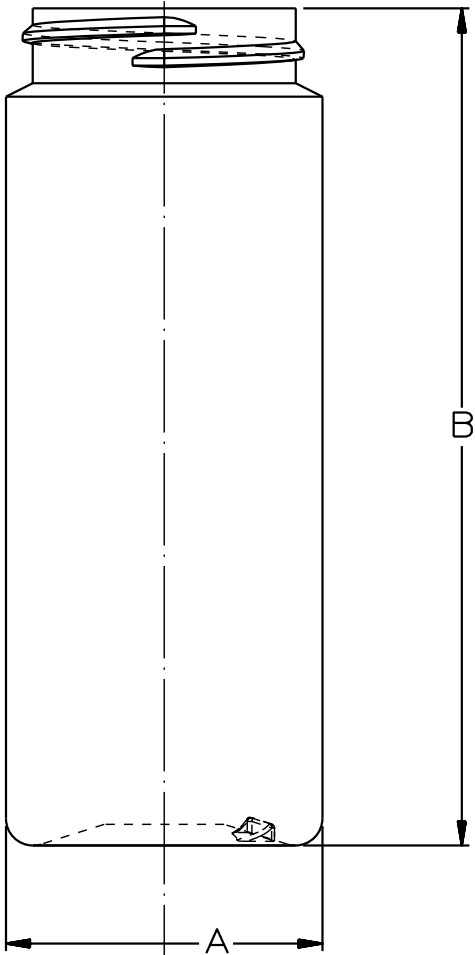
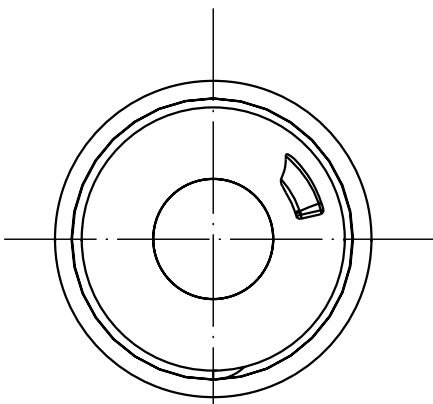
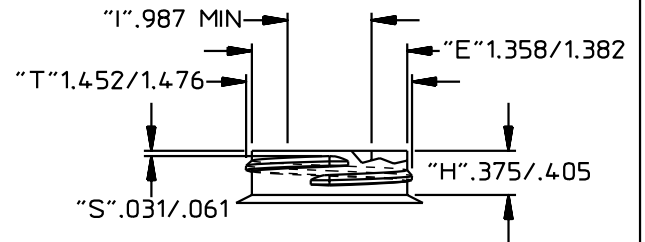


QualityPlastics

570 Fifth Street
 Prescott, Az. 86301
 928-445-2592 Fax:928-445-1518
 WWW.QUALITY-PLASTICS.COM



NECK DETAIL



**4oz Cylinder
 38-400
 Drawing# 82-359-C**

O.F.C.	133.2±5cc
WEIGHT	15g**
FINISH	38-400
DIAMETER(A)	1.648±.047
HEIGHT(B)	4.360±.047
MAX LABEL(HEIGHT)	3.550
MAX LABEL(WIDTH)	N/A
PLUG FIT	USER SPECIFIED

SPECIAL WEIGHTS AVAILABLE UPON REQUEST

MANUFACTURED BY EXTRUSION BLOW MOLD
 DRAWING NOT TO SCALE