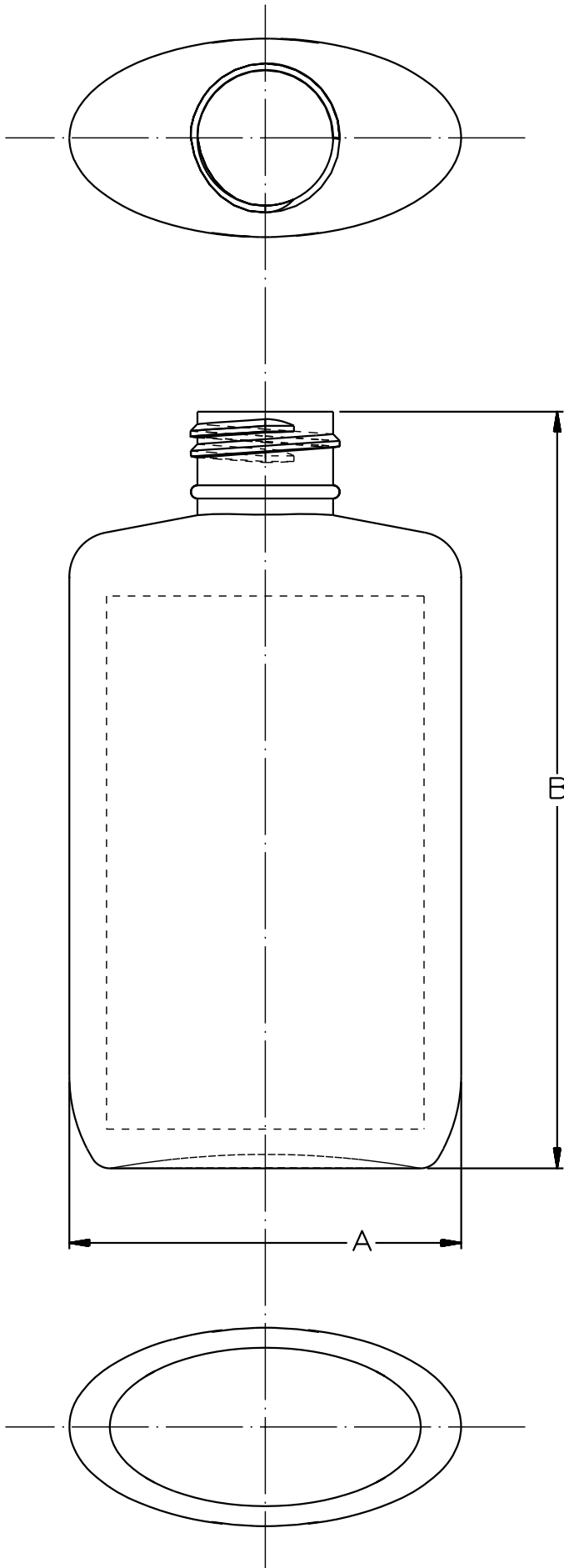
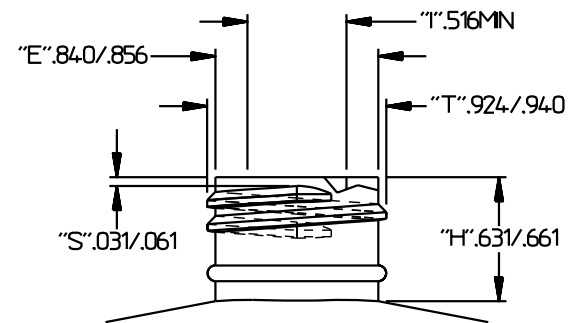


# QualityPlastics

570 Fifth Street  
 Prescott, Az. 86301  
 928-445-2592 Fax:928-445-1518  
 WWW.QUALITY-PLASTICS.COM



## NECK DETAIL



4oz Flat Oval 24-410 Drawing# 11-1150	
O.F.C.	141.7±5cc
WEIGHT	14.5g**
FINISH	20-415
DIAMETER(A)	2.450±.062
HEIGHT(B)	4.727±.047
MAX LABEL(HEIGHT)	3.331
MAX LABEL(WIDTH)	1.985
PLUG FIT	USER SPECIFIED

\*\*SPECIAL WEIGHTS AVAILABLE UPON  
 REQUEST\*\*

\*MANUFACTURED BY EXTRUSION BLOW MOLD\*  
 \*DRAWING NOT TO SCALE\*