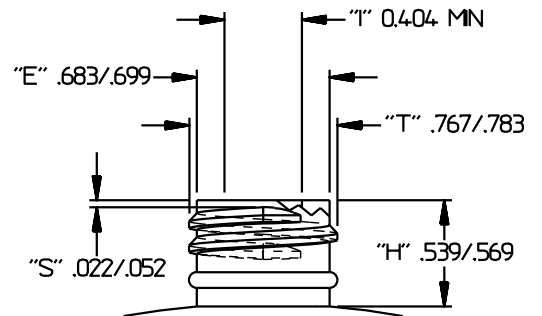


QualityPlastics

570 Fifth Street
 Prescott, Az. 86301
 928-445-2592 Fax:928-445-1518
 WWW.QUALITY-PLASTICS.COM

NECK DETAIL



4oz Flat Oval Design2
 20-410
 Drawing# 96-739-D

O.F.C.	152.8±5cc
WEIGHT	16.5g**
FINISH	20-410
DIAMETER(A)	2.600±.062
HEIGHT(B)	4.200±.047
MAX LABEL(HEIGHT)	2.845
MAX LABEL(WIDTH)	2.006
PLUG FIT	USER SPECIFIED

SPECIAL WEIGHTS AVAILABLE UPON REQUEST

MANUFACTURED BY EXTRUSION BLOW MOLD
 DRAWING NOT TO SCALE

