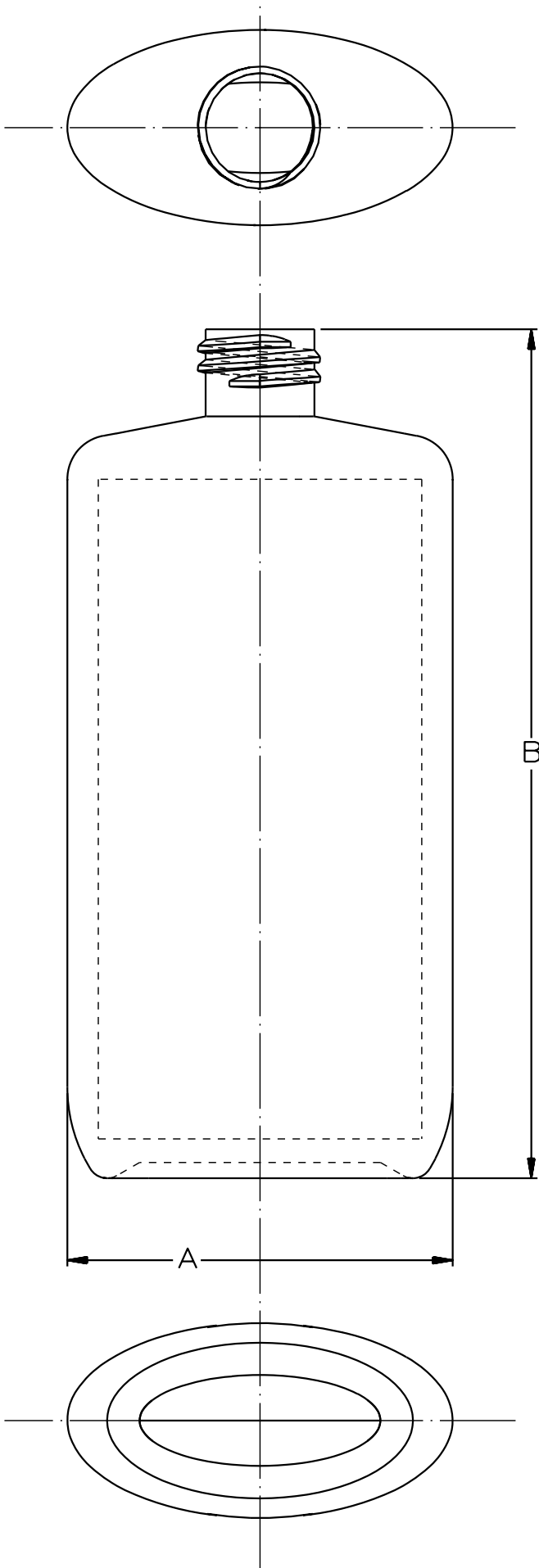
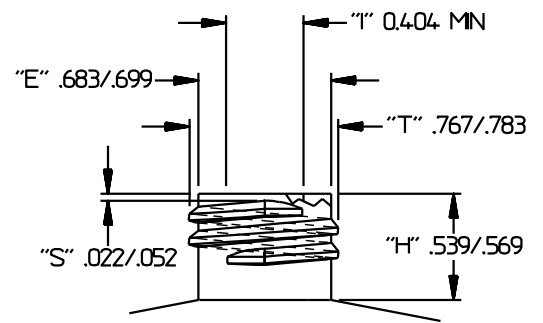


QualityPlastics

570 Fifth Street
 Prescott, Az. 86301
 928-445-2592 Fax:928-445-1518
 WWW.QUALITY-PLASTICS.COM



NECK DETAIL



5oz Flat Oval
 20-410
 Drawing# 95-709-D

O.F.C.	175±5cc
WEIGHT	18g**
FINISH	20-410
DIAMETER(A)	2.450±.062
HEIGHT(B)	5.400±.047
MAX LABEL(HEIGHT)	4.196
MAX LABEL(WIDTH)	2.057
PLUG FIT	USER SPECIFIED

SPECIAL WEIGHTS AVAILABLE UPON REQUEST

MANUFACTURED BY EXTRUSION BLOW MOLD
 DRAWING NOT TO SCALE