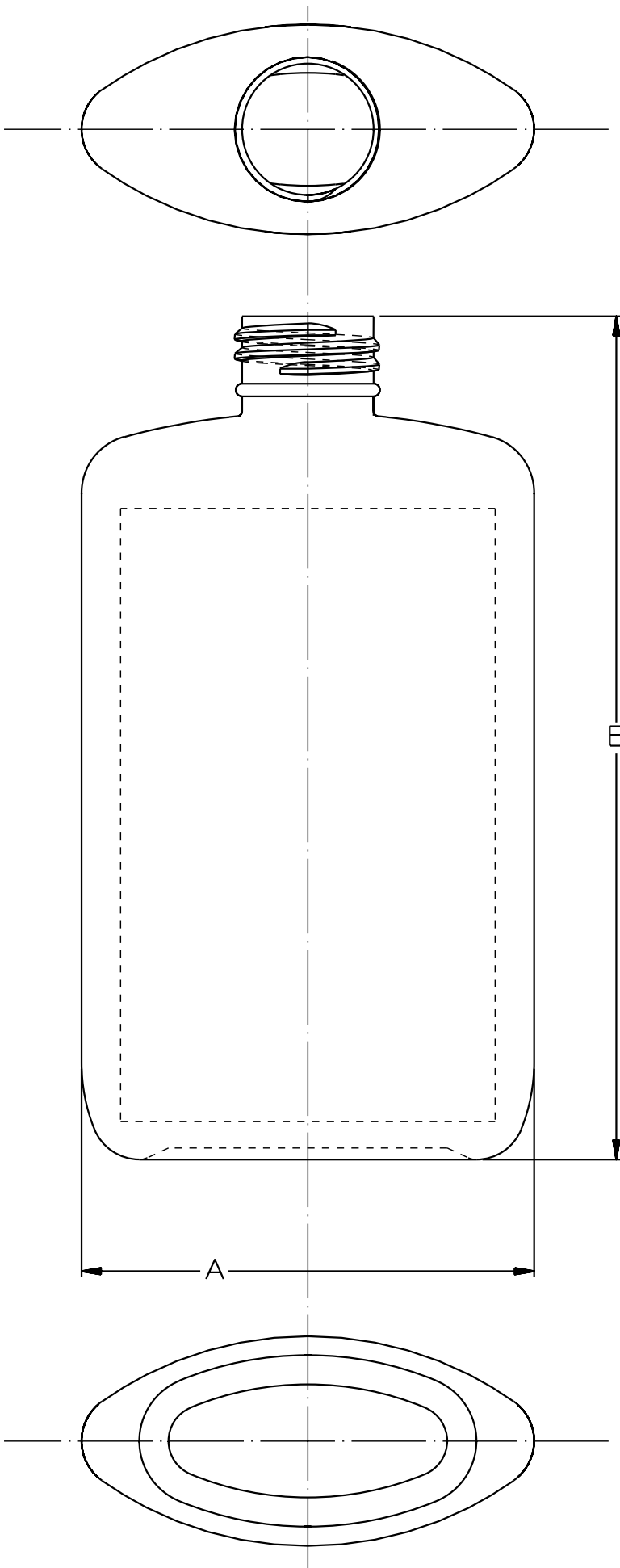
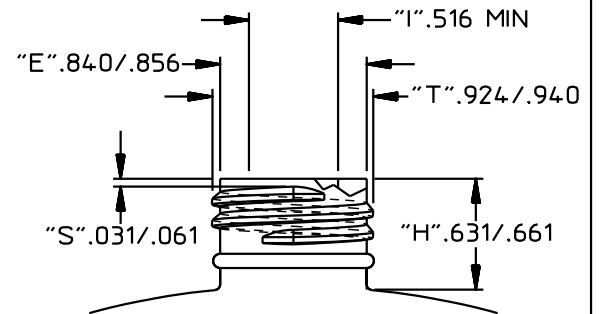


# QualityPlastics

570 Fifth Street  
 Prescott, Az. 86301  
 928-445-2592 Fax:928-445-1518  
 WWW.QUALITY-PLASTICS.COM



## NECK DETAIL



<b>6oz Flat Oval          24-410          Drawing# 07-917</b>	
O.F.C.	218.1±6cc
WEIGHT	21.5g**
FINISH	24-410
DIAMETER(A)	2.920±.062
HEIGHT(B)	5.440±.047
MAX LABEL(HEIGHT)	3.955
MAX LABEL(WIDTH)	2.416
PLUG FIT	USER SPECIFIED

\*\*SPECIAL WEIGHTS AVAILABLE UPON  
 REQUEST\*\*

\*MANUFACTURED BY EXTRUSION BLOW MOLD\*  
 \*DRAWING NOT TO SCALE\*