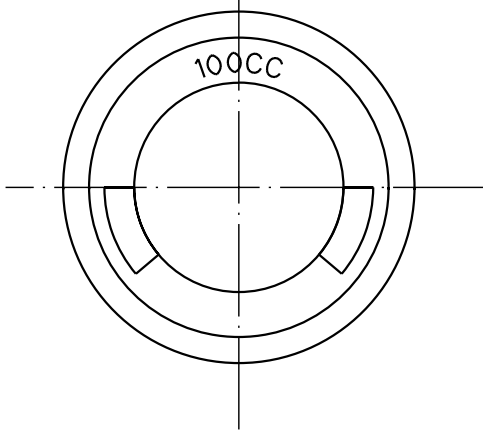
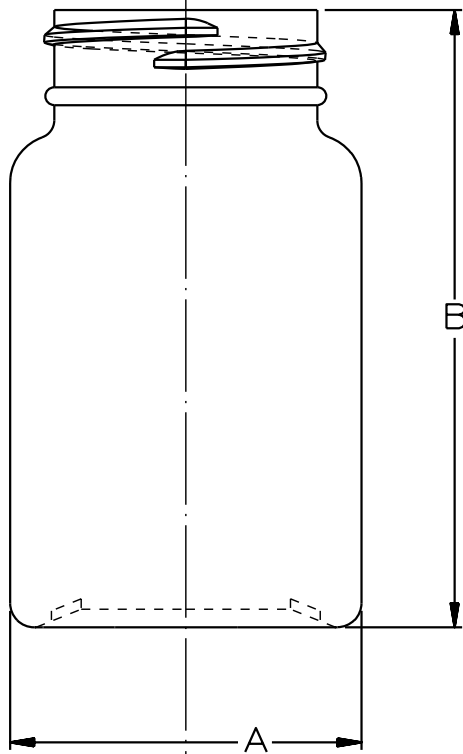
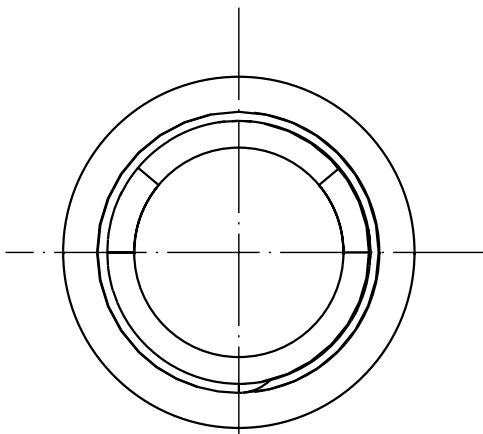
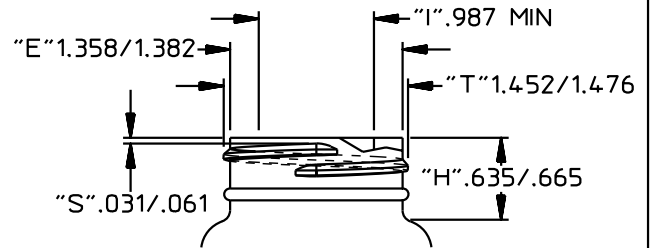


QualityPlastics

570 Fifth Street
 Prescott, Az. 86301
 928-445-2592 Fax:928-445-1518
 WWW.QUALITY-PLASTICS.COM



NECK DETAIL



100cc Packer 38MM SPECIAL Drawing# 92-660-C

O.F.C.	111.4±4cc
WEIGHT	12.5g**
FINISH	38MM SPL
DIAMETER(A)	1.830±.047
HEIGHT(B)	3.215±.047
MAX LABEL(HEIGHT)	1.950
MAX LABEL(WIDTH)	N/A
PLUG FIT	USER SPECIFIED

SPECIAL WEIGHTS AVAILABLE UPON REQUEST

MANUFACTURED BY EXTRUSION BLOW MOLD

DRAWING NOT TO SCALE