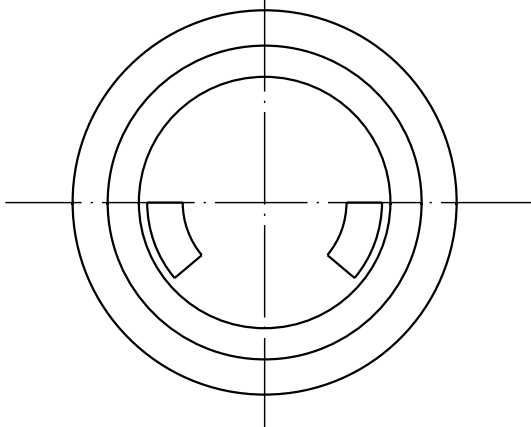
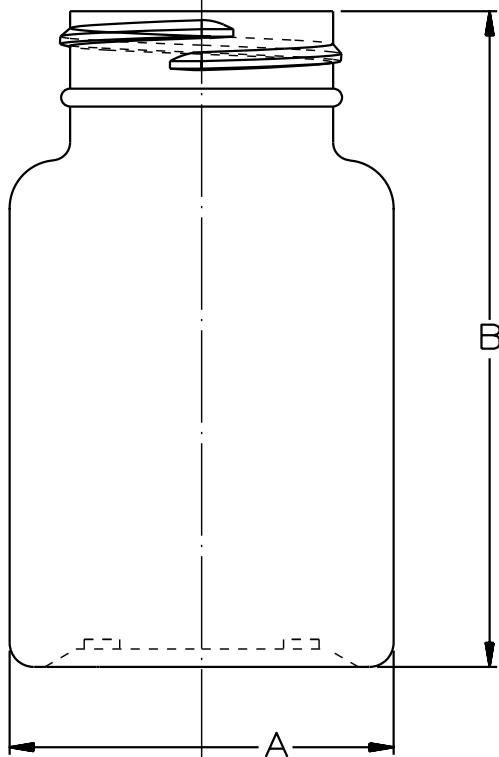
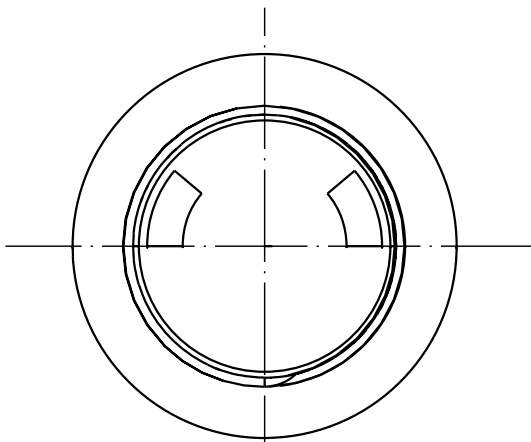
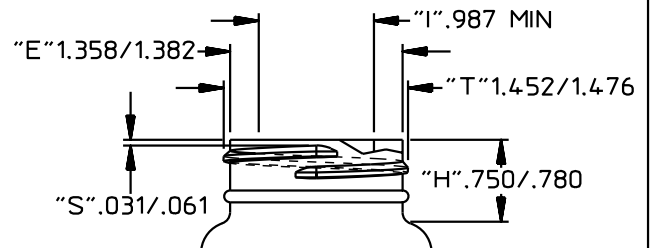


QualityPlastics

570 Fifth Street
 Prescott, Az. 86301
 928-445-2592 Fax:928-445-1518
 WWW.QUALITY-PLASTICS.COM



NECK DETAIL



120cc Packer 38MM SPECIAL Drawing# 92-661-C

O.F.C.	135.9±5cc
WEIGHT	14g**
FINISH	38MM SPL
DIAMETER(A)	2.000±.062
HEIGHT(B)	3.415±.047
MAX LABEL(HEIGHT)	2.050
MAX LABEL(WIDTH)	N/A
PLUG FIT	USER SPECIFIED

SPECIAL WEIGHTS AVAILABLE UPON REQUEST

MANUFACTURED BY EXTRUSION BLOW MOLD
 DRAWING NOT TO SCALE