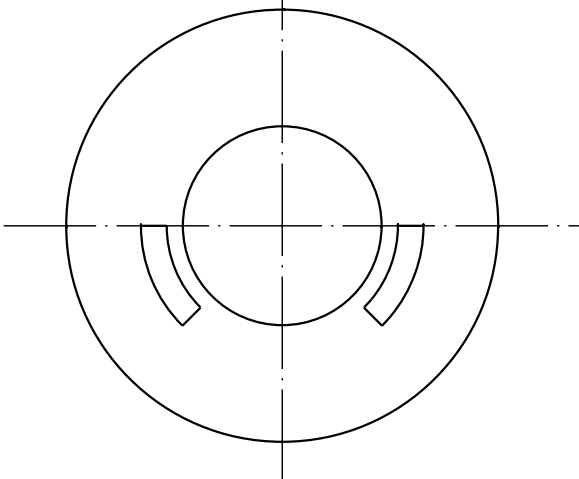
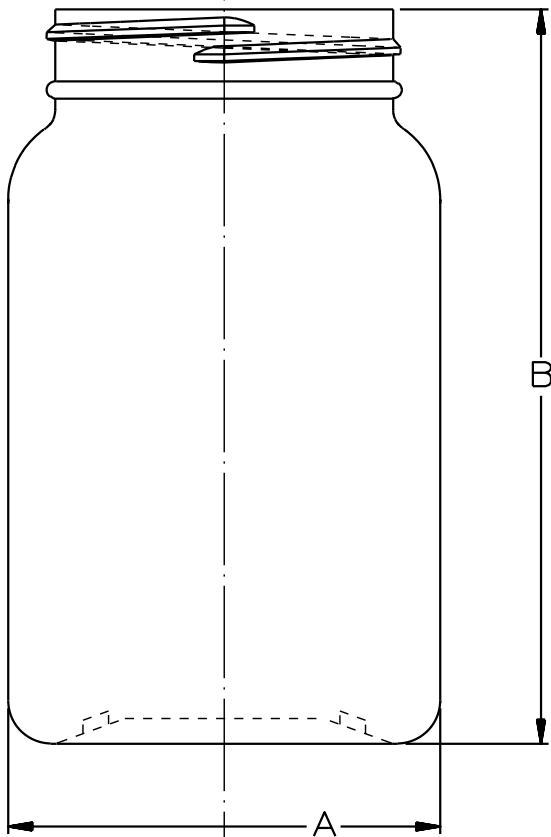
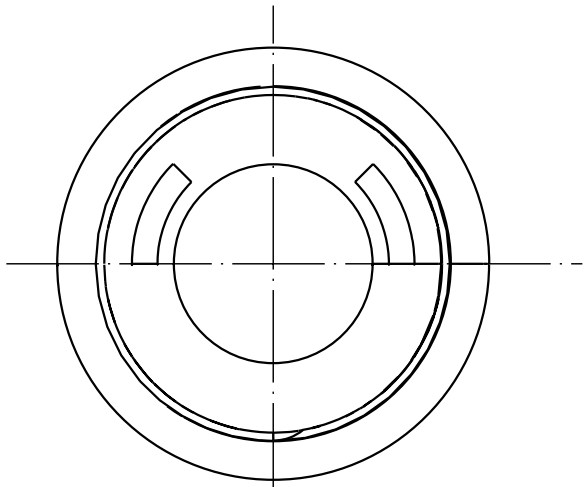
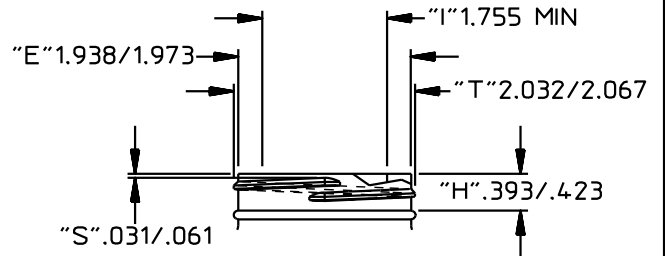


# QualityPlastics

570 Fifth Street  
 Prescott, Az. 86301  
 928-445-2592 Fax:928-445-1518  
 WWW.QUALITY-PLASTICS.COM



## NECK DETAIL



### 275cc Packer 53-400 Drawing# 09-1008

O.F.C.	293±9cc
WEIGHT	23g**
FINISH	53-400
DIAMETER(A)	2.500±.062
HEIGHT(B)	4.250±.047
MAX LABEL(HEIGHT)	2.700
MAX LABEL(WIDTH)	N/A
PLUG FIT	USER SPECIFIED

\*\*SPECIAL WEIGHTS AVAILABLE UPON REQUEST\*\*

\*MANUFACTURED BY EXTRUSION BLOW MOLD\*  
 \*DRAWING NOT TO SCALE\*