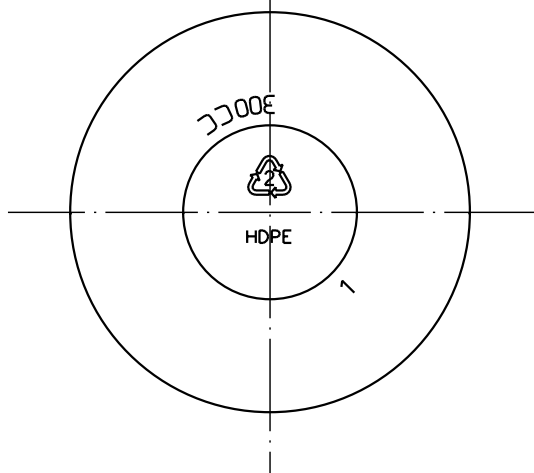
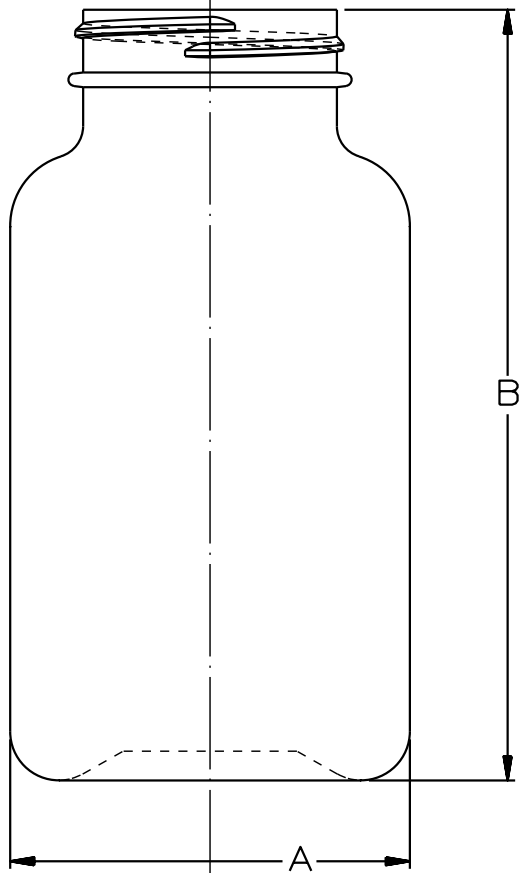
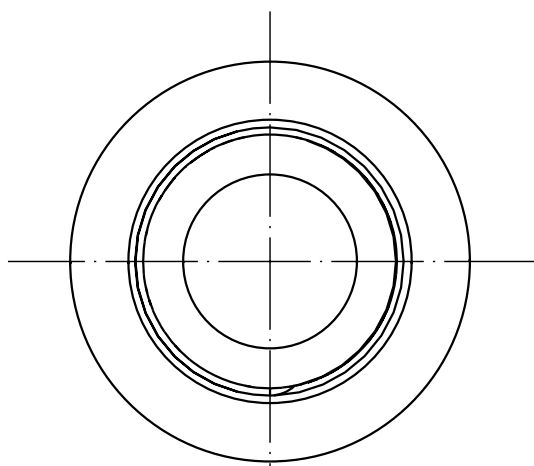
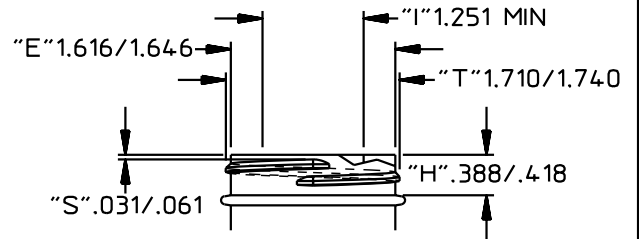


QualityPlastics

570 Fifth Street
 Prescott, Az. 86301
 928-445-2592 Fax:928-445-1518
 WWW.QUALITY-PLASTICS.COM



NECK DETAIL



300cc Packer 45-400 Drawing# 99-769-D

O.F.C.	335.6±9cc
WEIGHT	27g**
FINISH	45-400
DIAMETER(A)	2.570±.062
HEIGHT(B)	4.955±.047
MAX LABEL(HEIGHT)	3.000
MAX LABEL(WIDTH)	N/A
PLUG FIT	USER SPECIFIED

SPECIAL WEIGHTS AVAILABLE UPON REQUEST

MANUFACTURED BY EXTRUSION BLOW MOLD
 DRAWING NOT TO SCALE