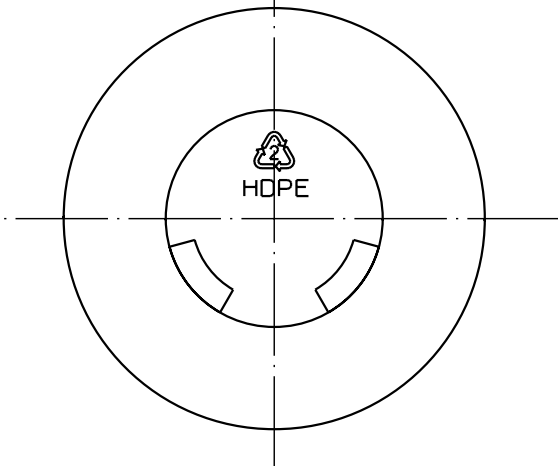
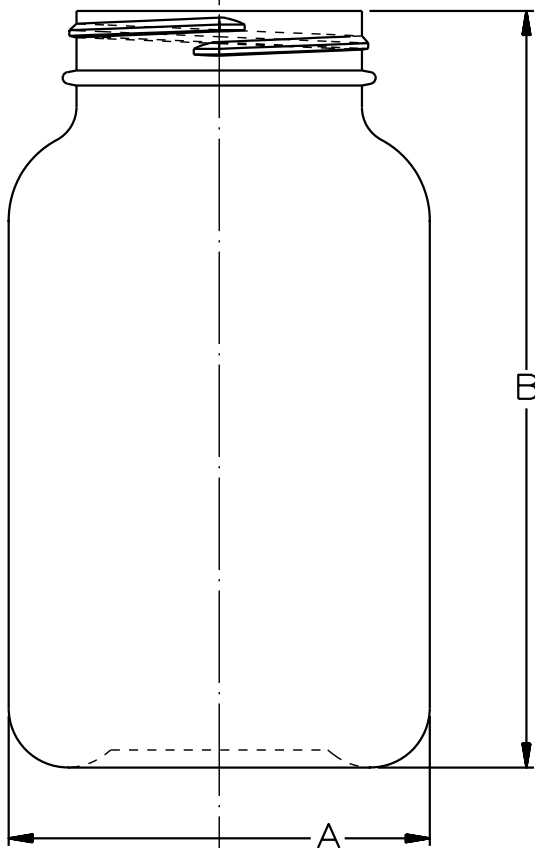
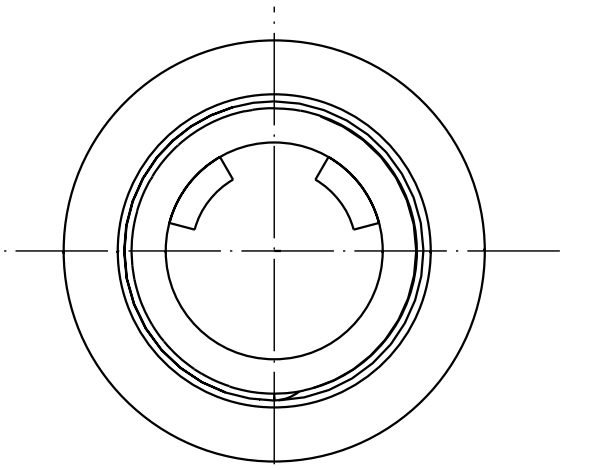


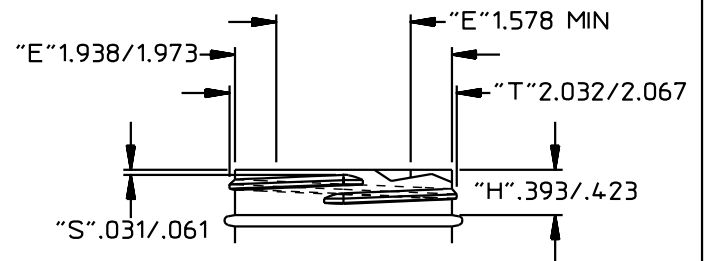


QualityPlastics

570 Fifth Street
 Prescott, Az. 86301
 928-445-2592 Fax:928-445-1518
 WWW.QUALITY-PLASTICS.COM



NECK DETAIL



400cc Packer 53-400 Drawing# 09-1009

O.F.C.	448.8±11cc
WEIGHT	36g**
FINISH	53-400
DIAMETER(A)	2.885±.062
HEIGHT(B)	5.185±.047
MAX LABEL(HEIGHT)	3.100
MAX LABEL(WIDTH)	N/A
PLUG FIT	USER SPECIFIED

SPECIAL WEIGHTS AVAILABLE UPON REQUEST

MANUFACTURED BY EXTRUSION BLOW MOLD

DRAWING NOT TO SCALE