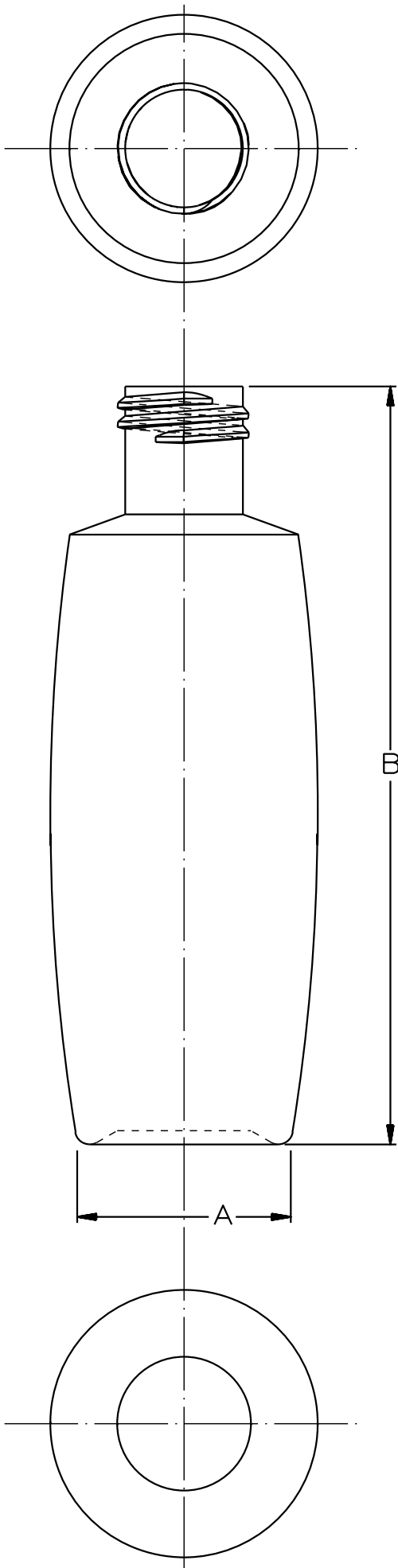
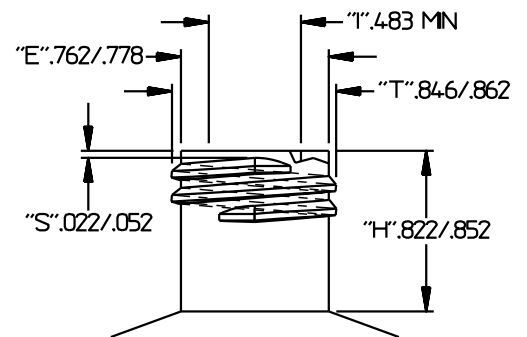


# QualityPlastics

570 Fifth Street  
 Prescott, Az. 86301  
 928-445-2592 Fax:928-445-1518  
 WWW.QUALITY-PLASTICS.COM



## NECK DETAIL



4.25oz BarrelBottle  
 22-415  
 Drawing# 90-630-B

O.F.C.	cc
WEIGHT	15.5g**
FINISH	22-415
DIAMETER(A)	1.398±.047
HEIGHT(B)	4.962±.047
MAX LABEL(HEIGHT)	3.650
MAX LABEL(WIDTH)	N/A
PLUG FIT	USER SPECIFIED

\*\*SPECIAL WEIGHTS AVAILABLE UPON REQUEST\*\*

\*MANUFACTURED BY EXTRUSION BLOW MOLD\*  
 \*DRAWING NOT TO SCALE\*