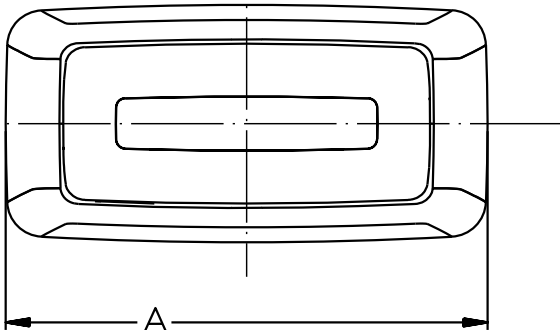
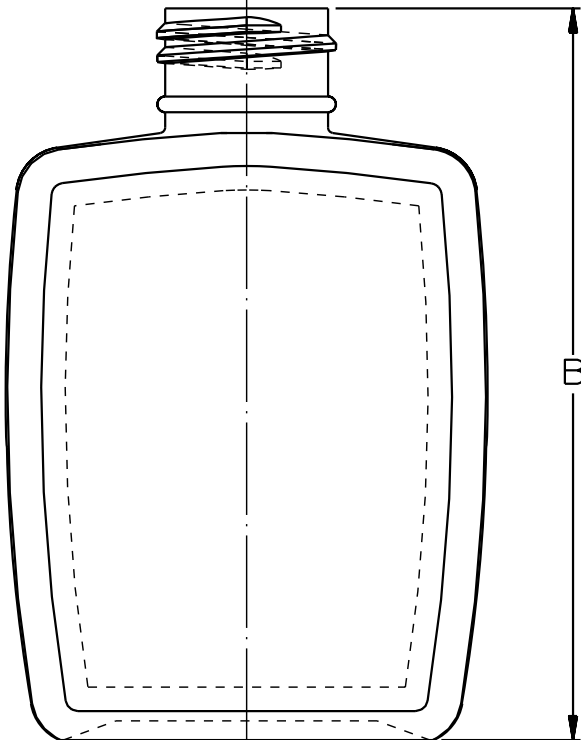
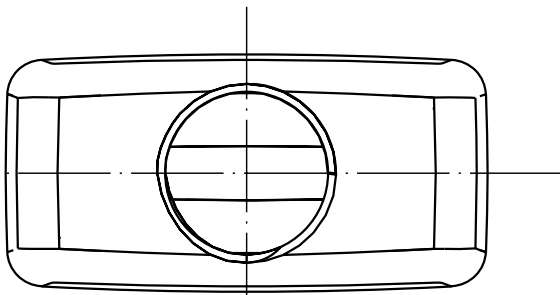
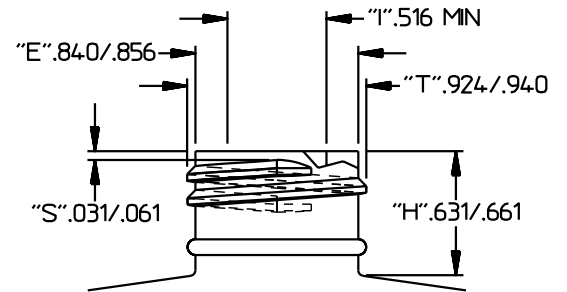




# QualityPlastics

570 Fifth Street  
 Prescott, Az. 86301  
 928-445-2592 Fax:928-445-1518  
 WWW.QUALITY-PLASTICS.COM

## NECK DETAIL



4oz Oblong  
 24-410  
 Drawing# 05-868-B

O.F.C.	130.6±5cc
WEIGHT	13g**
FINISH	24-410
DIAMETER(A)	2.510±.062
HEIGHT(B)	3.810±.047
MAX LABEL(HEIGHT)	2.589
MAX LABEL(WIDTH)	1.889
PLUG FIT	USER SPECIFIED

\*\*SPECIAL WEIGHTS AVAILABLE UPON REQUEST\*\*

\*MANUFACTURED BY EXTRUSION BLOW MOLD\*  
 \*DRAWING NOT TO SCALE\*