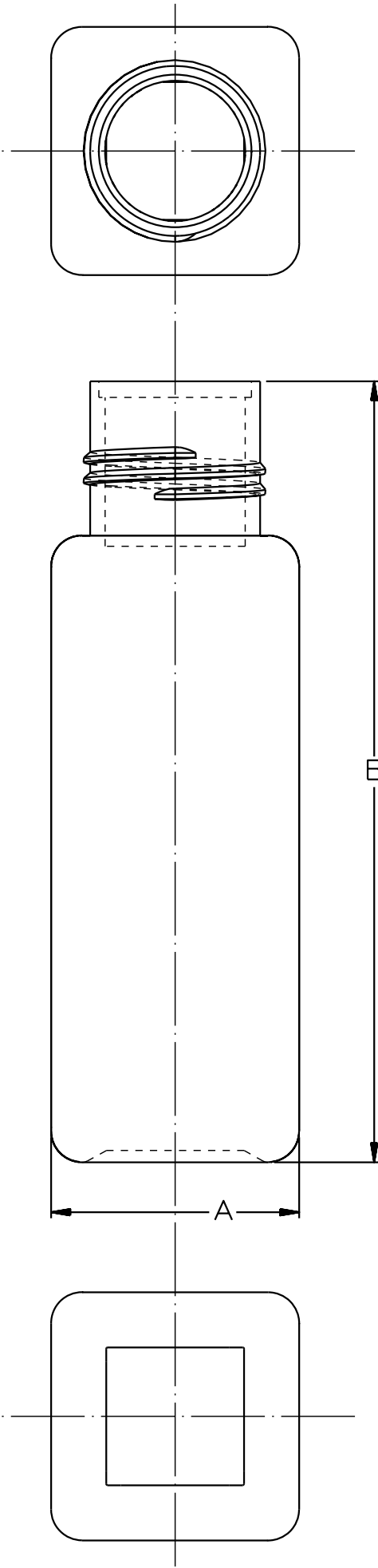
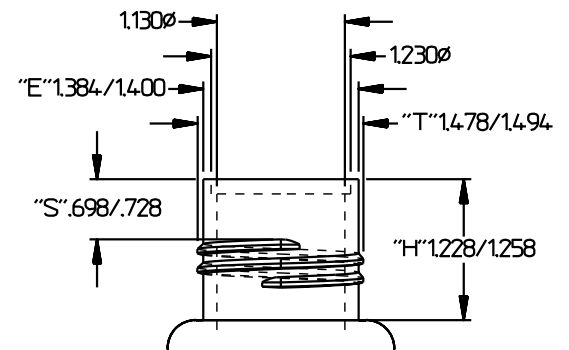


# QualityPlastics

570 Fifth Street  
 Prescott, Az. 86301  
 928-445-2592 Fax:928-445-1518  
 WWW.QUALITY-PLASTICS.COM



## NECK DETAIL



8oz Radius Square  
 38-430  
 Drawing# 09-1041

O.F.C.	297.6±9cc
WEIGHT	g**
FINISH	38-430
DIAMETER(A)	2.000±.062
HEIGHT(B)	6.294±.062
MAX LABEL(HEIGHT)	4.300
MAX LABEL(WIDTH)	N/A
PLUG FIT	USER SPECIFIED

\*\*SPECIAL WEIGHTS AVAILABLE UPON REQUEST\*\*

\*MANUFACTURED BY EXTRUSION BLOW MOLD\*  
 \*DRAWING NOT TO SCALE\*