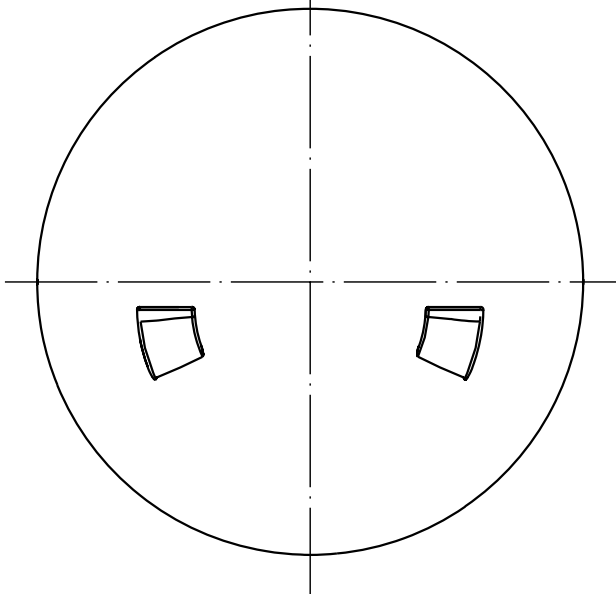
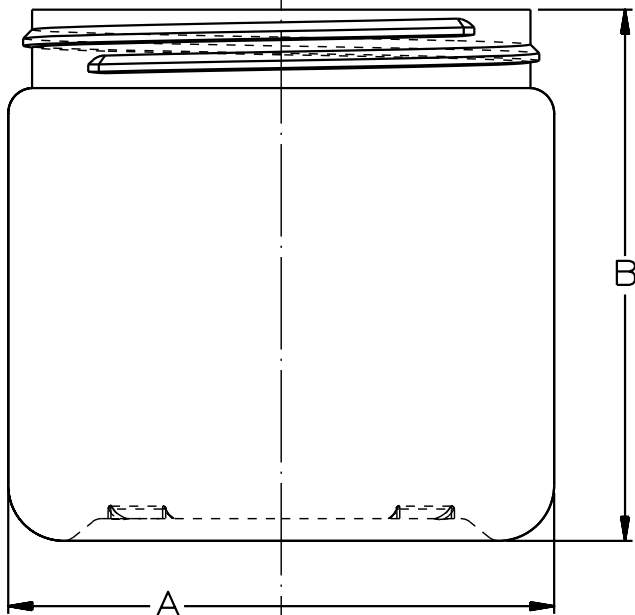
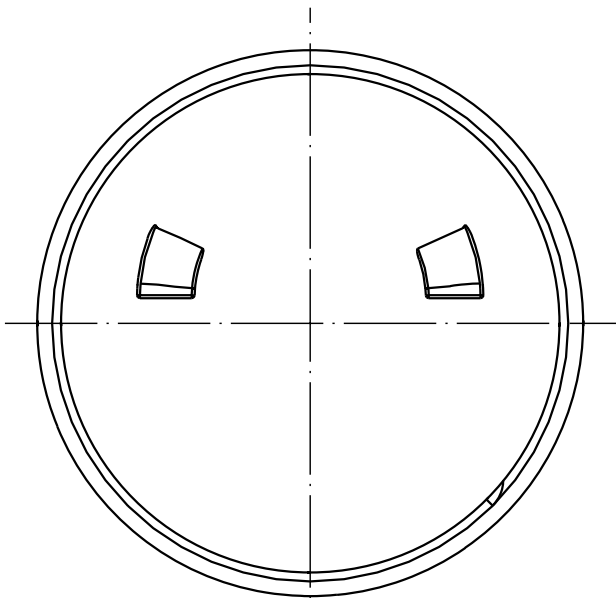
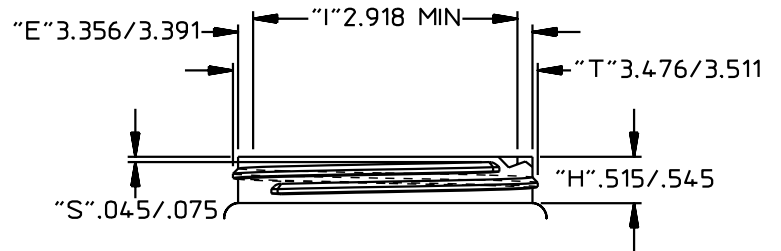


QualityPlastics

570 Fifth Street
 Prescott, Az. 86301
 928-445-2592 Fax:928-445-1518
 WWW.QUALITY-PLASTICS.COM



NECK DETAIL



16oz Wide Mouth Jar
 89MM
 Drawing# 07-906-B

O.F.C.	551.3±13cc
WEIGHT	35g**
FINISH	89MM
DIAMETER(A)	3.695±.062
HEIGHT(B)	3.595±.047
MAX LABEL(HEIGHT)	2.310
MAX LABEL(WIDTH)	N/A
PLUG FIT	USER SPECIFIED

SPECIAL WEIGHTS AVAILABLE UPON REQUEST

MANUFACTURED BY EXTRUSION BLOW MOLD
 DRAWING NOT TO SCALE