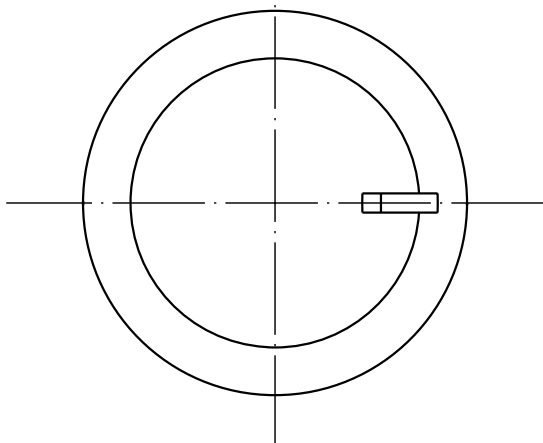
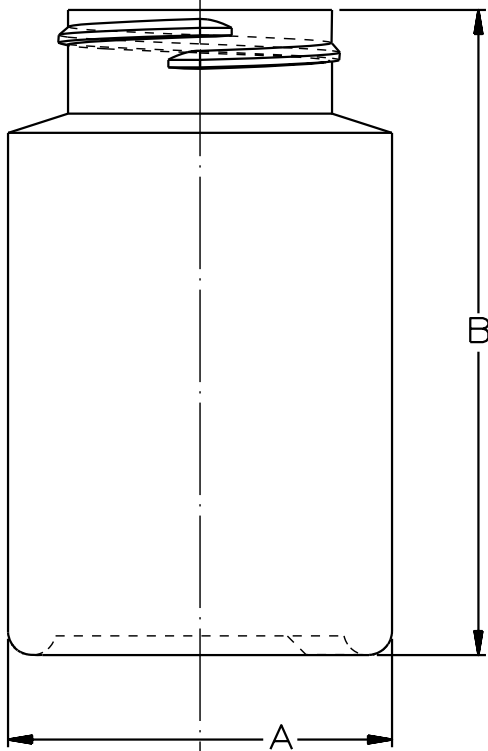
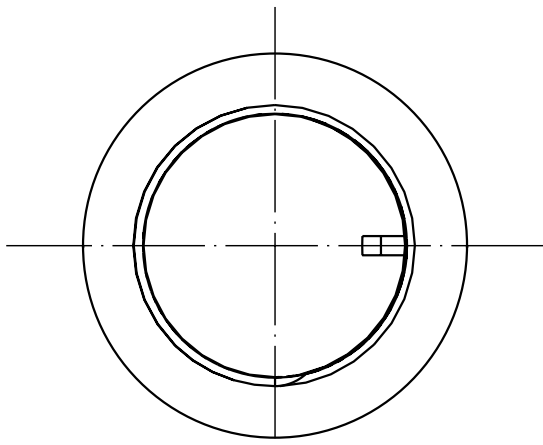
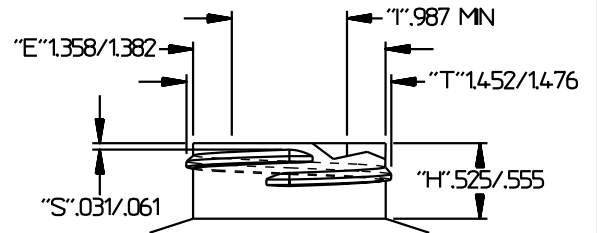


QualityPlastics

570 Fifth Street
 Prescott, Az. 86301
 928-445-2592 Fax:928-445-1518
 WWW.QUALITY-PLASTICS.COM



NECK DETAIL



4oz Jar
 38-400 SPL H
 Drawing# 89-584-C

O.F.C.	140.2±5cc
WEIGHT	12.75g**
FINISH	38-400
DIAMETER(A)	2.000±.062
HEIGHT(B)	3.360±.047
MAX LABEL(HEIGHT)	2.450
MAX LABEL(WIDTH)	N/A
PLUG FIT	USER SPECIFIED

SPECIAL WEIGHTS AVAILABLE UPON REQUEST

MANUFACTURED BY EXTRUSION BLOW MOLD
 DRAWING NOT TO SCALE