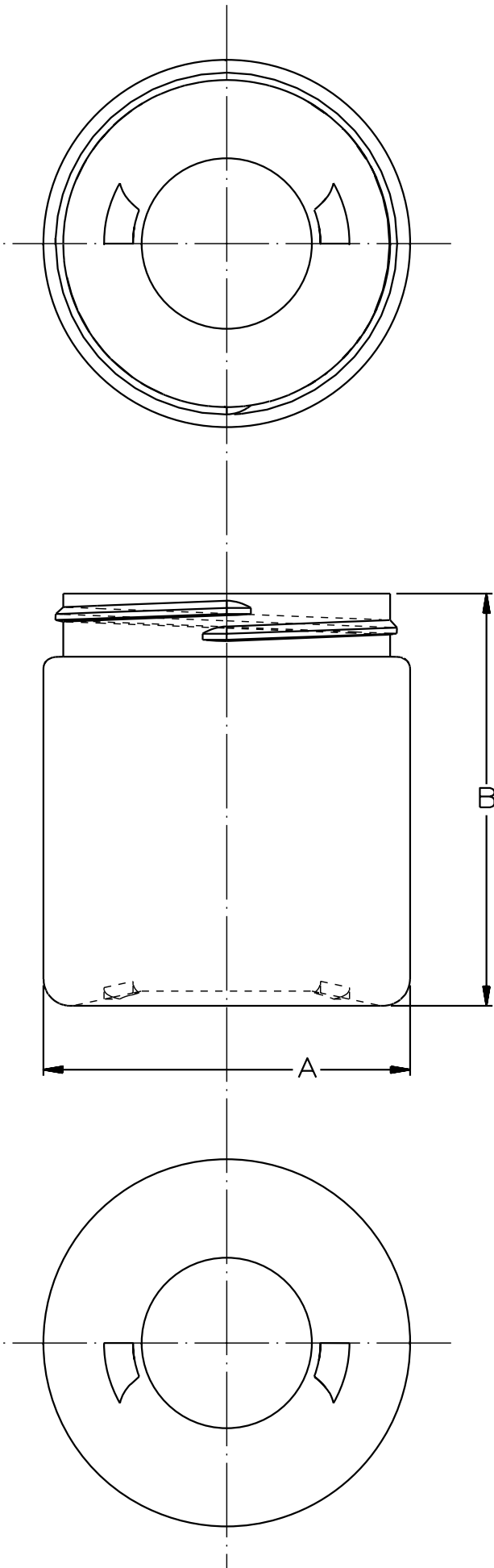
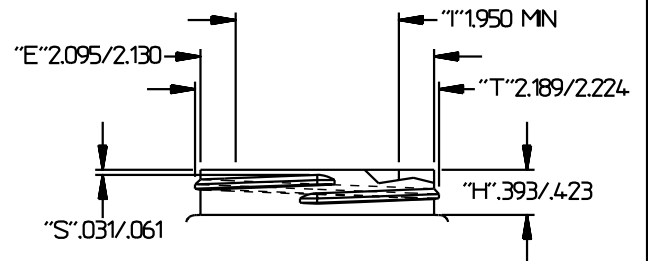


QualityPlastics

570 Fifth Street
 Prescott, Az. 86301
 928-445-2592 Fax:928-445-1518
 WWW.QUALITY-PLASTICS.COM

NECK DETAIL



4oz Jar
 58-400
 Drawing# 93-680-B

O.F.C.	162±2cc
WEIGHT	15g**
FINISH	53-400
DIAMETER(A)	2.370±.062
HEIGHT(B)	2.662±.047
MAX LABEL(HEIGHT)	1.800
MAX LABEL(WIDTH)	N/A
PLUG FIT	USER SPECIFIED

SPECIAL WEIGHTS AVAILABLE UPON REQUEST

MANUFACTURED BY EXTRUSION BLOW MOLD

DRAWING NOT TO SCALE